



salto

The **art** of **adaptability**.

logiflex

**Salto:** The **answer** to your  
**ever-changing** workforce needs.



A **versatile** table that embodies **design** and **innovation**.





## INTUITIVE USE, INFINITE POSSIBILITIES

With its sleek leg design, the Salto training table offers a variety of configurations for various uses. It stands out for its easy one-hand use and compact storage. Its robust construction makes it a reliable and durable choice.

SALTO-C013



Let your **imagination** run wild.



SALTO-C011

## CHOOSE YOUR STYLE

Personalize more than just the surface, with three different metal leg finishes.

Details matter. That's why we've already thought of everything, including a hook for your things.



SALTO-C004



The tilting mechanism equipped with a one-handed lever provides a seamless transition.

## FREE UP SPACE WITH EASE

The mechanism allows you to stack tables together and free up space for whatever you need. After all, every day on the job is different. Claim your space with laminate modesty panels: and yes they're compatible with the tilting motion.



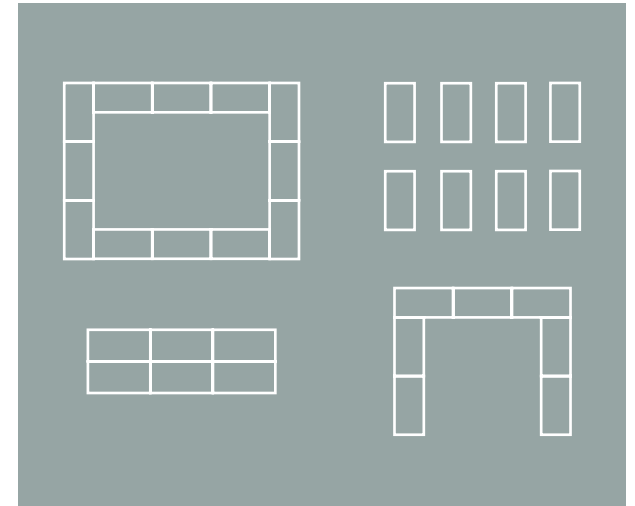
## CONNECTIVITY AT YOUR FINGERTIPS

Enjoy Interlink electrical management and create adaptive layouts. Stay connected and operational with the Salto's built-in power solutions. No matter how you configure your space, we have what you need.





**Transform  
your spaces.**



## DYNAMIC ENVIRONMENTS THAT YOU CAN EASILY RECONFIGURE

Whether you need to adjust the set-up of a conference room or scale a training space up (or down!), every layout presents a new opportunity for optimization.

Make sure your temporary or permanent set-up is solidly in place with locking brackets that ensure your tables won't go anywhere.

# COLLECTION OVERVIEW

## PRODUCT MAP



## DIMENSIONS

### LAMINATE SURFACE

1"

### DEPTH

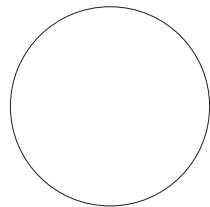
24", 30"

### WIDTH

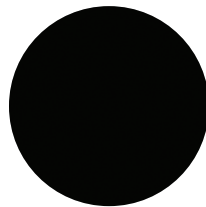
48", 54", 60", 72"

## OPTIONS

Legs available in three metal finishes



WH  
White



BL  
Black



SN  
Satin Nickel

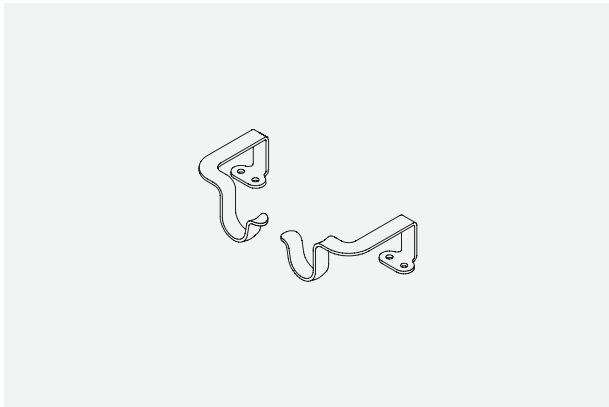
## FEATURES

- Simple and efficient one-handed tilt mechanism
- Compact diagonal stacking
- Metal legs on locking casters
- 300 lb. weight capacity
- Up to BIFMA standards

# COLLECTION OVERVIEW

## ACCESSORIES

---

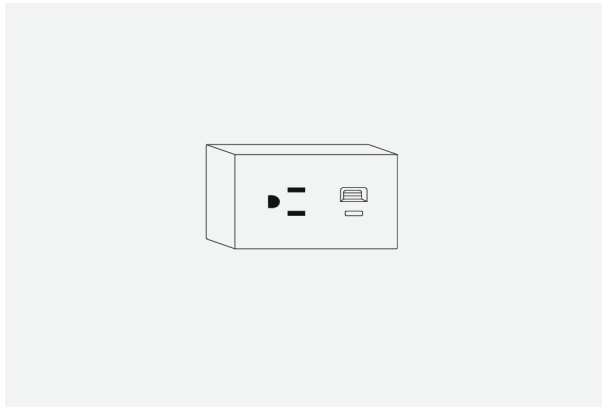


HOOK

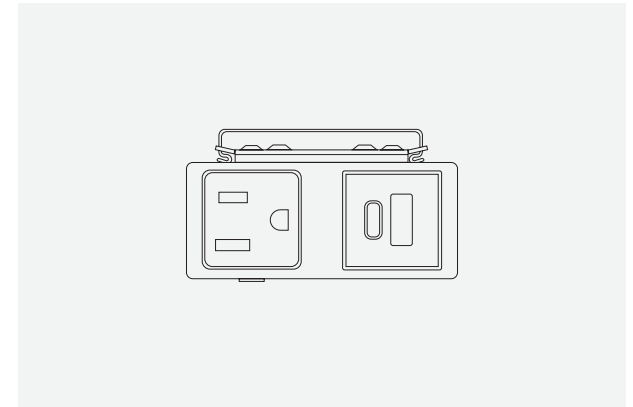
## ELECTRIC ACCESSORIES

---

### SUB-SURFACE POWER ACCESSORIES

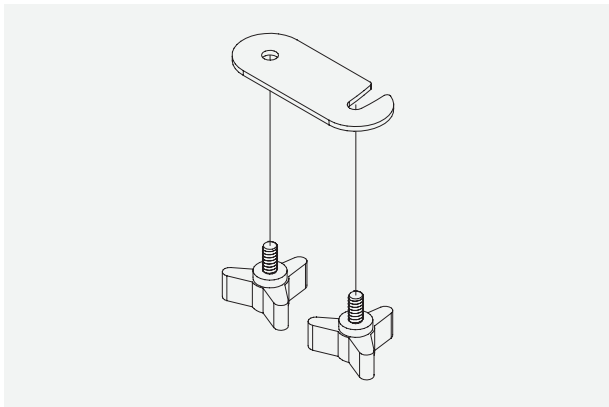


BEL-UM

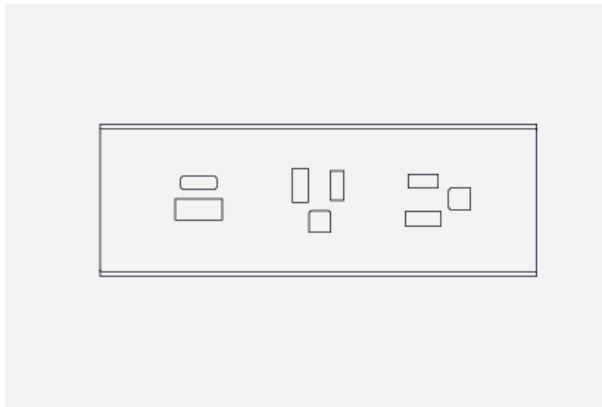


BCSS-IL

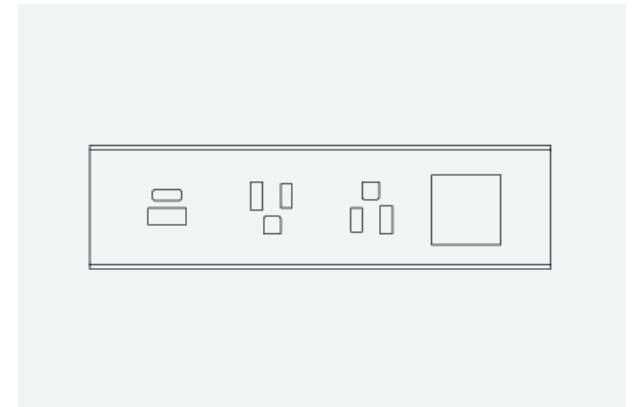
### IN SURFACE POWER ACCESSORIES



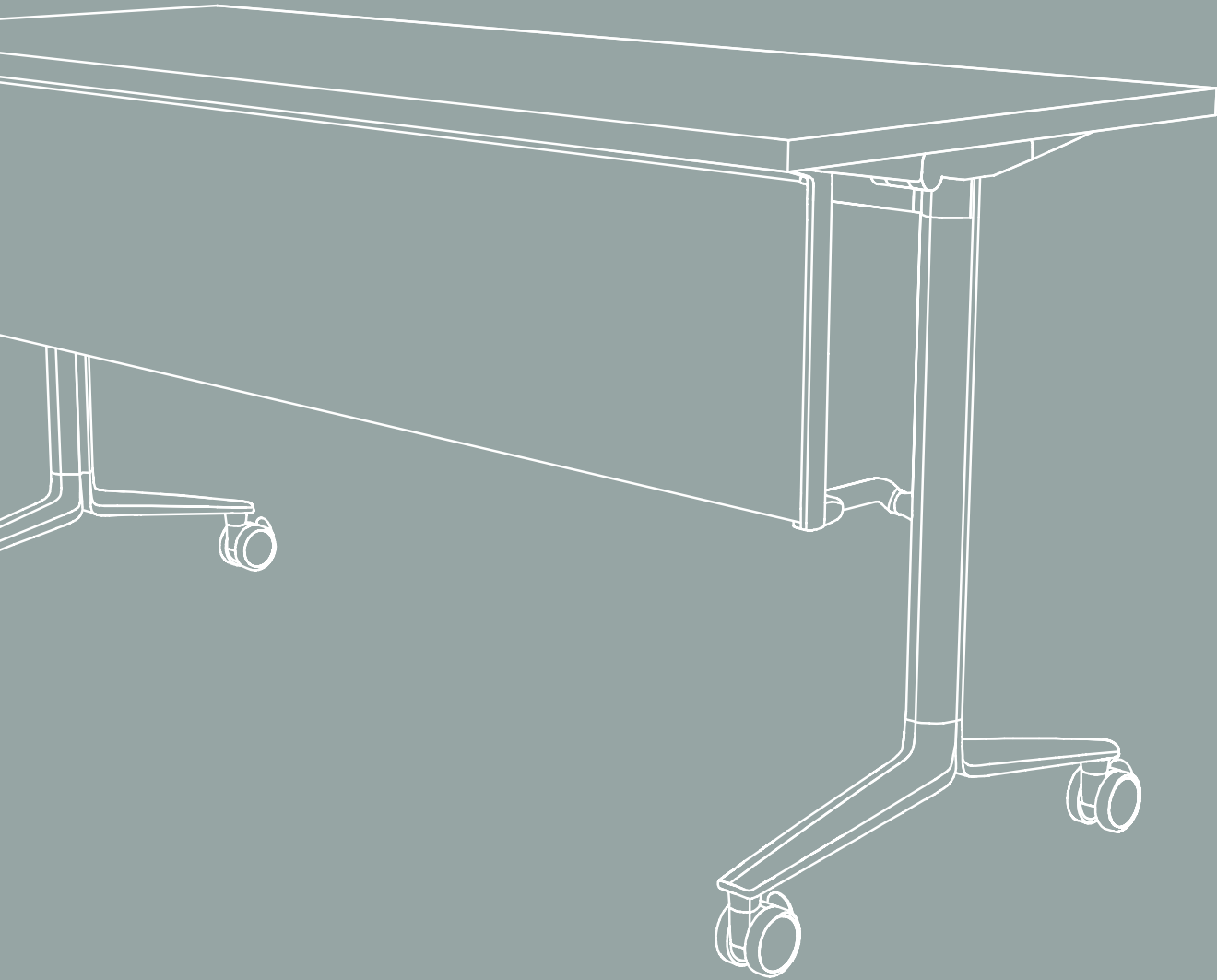
LOCKING BRACKET



BEL-1



BEL-2



logiflex

1235 St-Roch N., Sherbrooke QC J1N 0H2 Canada  
T : 1.877.864.9323 | F : 1.800.474.7830 | logiflex.ca

As our product line is constantly evolving and expanding,  
we recommend that you visit [logiflex.ca](https://logiflex.ca) for updates.